

Farenhyt



**SILENT
KNIGHT**

by Honeywell

Voice Evacuation

Voice Integration Panel with Analog / Addressable Fire Alarm Control

IFP-2000VIP

The IFP-2000VIP is an intelligent analog/addressable fire alarm control panel combined with an integrated single channel voice evacuation system. The basic IFP-2000VIP system has one onboard signal line circuit (SLC) loop which can support 159 IDP sensors and 159 IDP modules.

The IFP-2000VIP has eight on-board Flexput™ circuits that can be configured for auxiliary power, notification outputs, or for conventional smoke detector inputs (Class A or Class B). The FACP also has a built-in, dual-line digital fire communicator, Form C trouble relay, and two programmable Form C relays. The firmware has powerful features such as detector sensitivity, day/night thresholds, drift compensation, pre-trouble maintenance alert, and calibration trouble alert.

The IFP-2000VIP supports a variety of devices, including RA-2000 remote annunciator, 5824 serial/parallel printer interface module (for printing system reports), RPS-1000 intelligent power module, and Intelligent Device Protocol (IDP) devices.

The IFP-2000VIP places all of the critical user interface controls at the main panel. This seamless combination of fire detection and voice evacuation technology simplifies operation and programming of the entire system. The IFP-2000VIP system is scalable from 50 to 1000 watts using a distributed amplification scheme to provide the power to the appropriate areas for evacuation coverage.

Features

- Built-in support for up to 159 IDP sensors and 159 IDP modules, expandable to 636 points per IFP-2000 panel.
- All the features of the IFP-2000 Fire Alarm Control Panel combined with a fully integrated voice evacuation system
- Built-in Digital Message Repeater using DSP technology
- Three field programmable user messages
- Upload/download voice messages using a PC and the 7780 voice messaging application
- Program voice messages via serial interface or built-in microphone
- Support for up to eight VIP-50's or VIP-125's (SBUS addressable amplifiers) for a maximum of 1000 watts per system
- Single enclosure for both fire and voice system control components
- On-board supervised microphone
- System can support two supervised remote microphones (VIP-RM2000s)
- Up to 64 mappable speaker circuits using a combination of VIP-50s and VIP-CE4s
- Supports 25 Vrms or 70.7 Vrms speaker circuits with VIP-50 only
- Built-in Ethernet and USB interface for programming
- Improvements in SKSS-2 delivers five times faster upload/downloads
- All call and Non-Alarm buttons to quickly select all active or all the non-active output groups
- 999 software zones and 999 output groups
- Jumpstart® auto-programming

Agency Listings



City of NY
COA# 6017



IFP-2000VIP

Installation

The IFP-2000VIP can be surface or flush mounted.

Compatibility

The IFP-2000VIP is compatible with the following voice evacuation components:

- VIP-50 50 Watt Amplifier
- VIP-125 125 Watt Amplifier
- VIP-RM2000 Remote Microphone
- VIP-SW16 16 Switch Expander
- VIP-VCM Voice Control Module

Specifications

Physical

Flush Mount Dimensions: 20¼"W x 26.75"H x 2.5"–3"D (51.4 W x 68 H x 6.4–7.6 D cm)

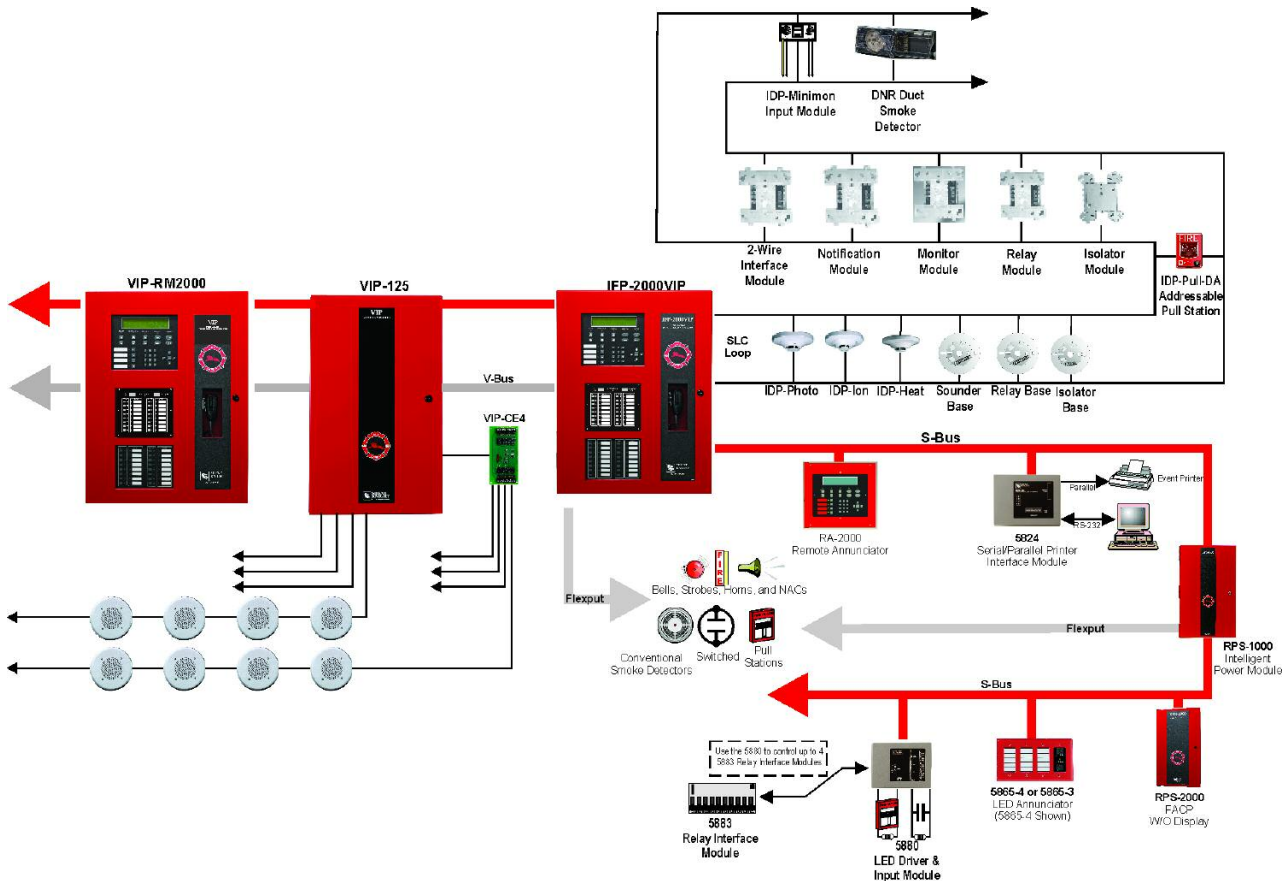
Overall Dimensions: 20"W x 26.5"H x 4.6"D (50.75 W x 67.3 H x 11.8 D cm)

Weight: 53 lbs. (24 kg)

Color: Red

P/N 350400 Rev D

Copyright © 2011 Honeywell International Inc.



IFP-2000VIP System Using IDP Protocol Devices on the SLC Loop

Environmental

Operating Temperature: 32°F – 120°F (0°C – 49°C)

Humidity: 10% – 93% non-condensing

Electrical

IFP-2000VIP Primary AC: 120 VAC @ 60 Hz, 5.0A

IFP-2000VIPHV Primary AC: 230 VAC @ 50 Hz, 2.5A

Total Accessory Load: 9A @ 27.4 VDC power-limited

Standby Current: 290 mA

Alarm Current: 530 mA

Battery Charging Capacity: 17 to 55 AH

Battery Size: 18 AH max. allowed in control panel cabinet. Larger capacity batteries can be housed in RBB or AB-55 accessory cabinet.

Six Conductor Wiring: Two voice bus & four SBUS

Flexput Circuits

Eight circuits that can be programmed individually as:

Notification Circuits: 3A per circuit @ 27.4 VDC, power-limited

Auxiliary Power Circuits: 3A per circuit @ 27.4 VDC, power-limited

Initiation Circuit: 100 mA per circuit @ 27.4 VDC, power-limited

Approvals

NFPA 13, NFPA 15, NFPA 16, NFPA 70, & NFPA 72: Central Station; Remote Signalling; Local Protective Signalling Systems; Auxiliary Protected Premises Unit; & Water Deluge Releasing Service.

Other Approvals: UL Listing; CSFM 7165-0559: 160; MEA

Ordering Information

IFP-2000VIP Voice Integration Panel with Fire Alarm Control.

VIP Accessories

VIP-50	50 Watt Amplifier
VIP-125	125 Watt Amplifier
VIP-RM2000	Remote Microphone
VIP-CE4	4 Circuit Audio Expander. For VIP-50, and VIP-125
VIP-SW16	16 Switch Expander
VIP-VCM	Voice Control Module
7780	Voice Message Downloading Application. Up/download voice messages with a PC.
VIP-TR	Panel Trim Ring. For flush mounting

Flexput™ is a Trademark of Silent Knight Jumpstart® is a Registered Trademark of Silent Knight



This document is not intended to be used for installation purposes. We try to keep our product information up-to-date and accurate. We cannot cover all specific applications or anticipate all requirements. All specifications are subject to change without notice. For more information, contact Silent Knight 12 Clintonville Road, Northford, CT 06472-1610 Phone: (800) 328-0103, Fax: (203) 484-7118. www.farenhyt.com



Made in the U.S.A.