

# Farenhyt



SILENT  
KNIGHT

by Honeywell

Voice Evacuation

## Voice Integration Panel with Analog / Addressable Fire Alarm Control

### IFP-1000VIP

The IFP-1000VIP is an intelligent analog/addressable fire alarm control panel (VIP) combined with an integrated single channel voice evacuation system. The basic IFP-1000VIP system has one onboard signal line circuit (SLC) loop and supports seven 5815XL SLC expanders allowing for up to eight SLC loops per VIP system.

The VIP has six on-board Flexput™ circuits that can be configured for auxiliary power, notification outputs, or for conventional smoke detector inputs (Class A or Class B). The FACP also has a built-in, dual-line digital fire communicator, Form C trouble relay, and two programmable Form C relays. The firmware has powerful features such as detector sensitivity, day/night thresholds, drift compensation, pre-trouble maintenance alert, and calibration trouble alert.

The VIP supports a variety of devices, including RA-1000 remote annunciator, 5824 serial/parallel printer interface module (for printing system reports), RPS-1000 intelligent power module, and Hochiki or Intelligent Device Protocol (IDP) devices.

The VIP places all of the critical user interface controls at the main panel. This seamless combination of fire detection and voice evacuation technology simplifies operation and programming of the entire system. The IFP-1000VIP system is scalable from 50 to 1000 watts using a distributed amplification scheme to provide the power to the appropriate areas for evacuation coverage.

### Features

- Built-in support for up to 127 Hochiki devices, expandable to 1016; or 99 IDP detectors and 99 IDP modules, expandable to 792 IDP detectors and 792 IDP modules
- All the features of the IFP-1000 Fire Alarm Control Panel combined with a fully integrated voice evacuation system
- Built-in Digital Message Repeater using DSP technology
- Three field programmable user messages
- Upload/download voice messages using a PC and the 7780 voice messaging application
- Program voice messages via serial interface or built-in microphone
- Support for up to eight VIP-50's or VIP-125's (SBUS addressable amplifiers) for a maximum of 1000 watts per system
- Single enclosure for both fire and voice system control components
- On-board supervised microphone
- System can support two supervised remote microphones (VIP-RMs)
- Up to 64 mappable speaker circuits using a combination of VIP-50s and VIP-CE4s
- Supports 25 Vrms or 70.7 Vrms speaker circuits
- Built-in RS-232 and USB interface for programming
- Upload or download programming, event history, or detector status onsite or from a remote location using a PC and 5650/5651 Silent Knight Software Suite (SKSS)

### Agency Listings



MEA

429-92-E Vol XV



IFP-1000VIP

- Improvements in SKSS delivers five times faster upload/downloads
- All call and Non-Alarm buttons to quickly select all active or all the non-active output groups
- 125 software zones and 250 output groups
- Jumpstart® auto-programming
- Programmable date setting for Daylight Saving Time

### Installation

The IFP-1000VIP can be surface or flush mounted.

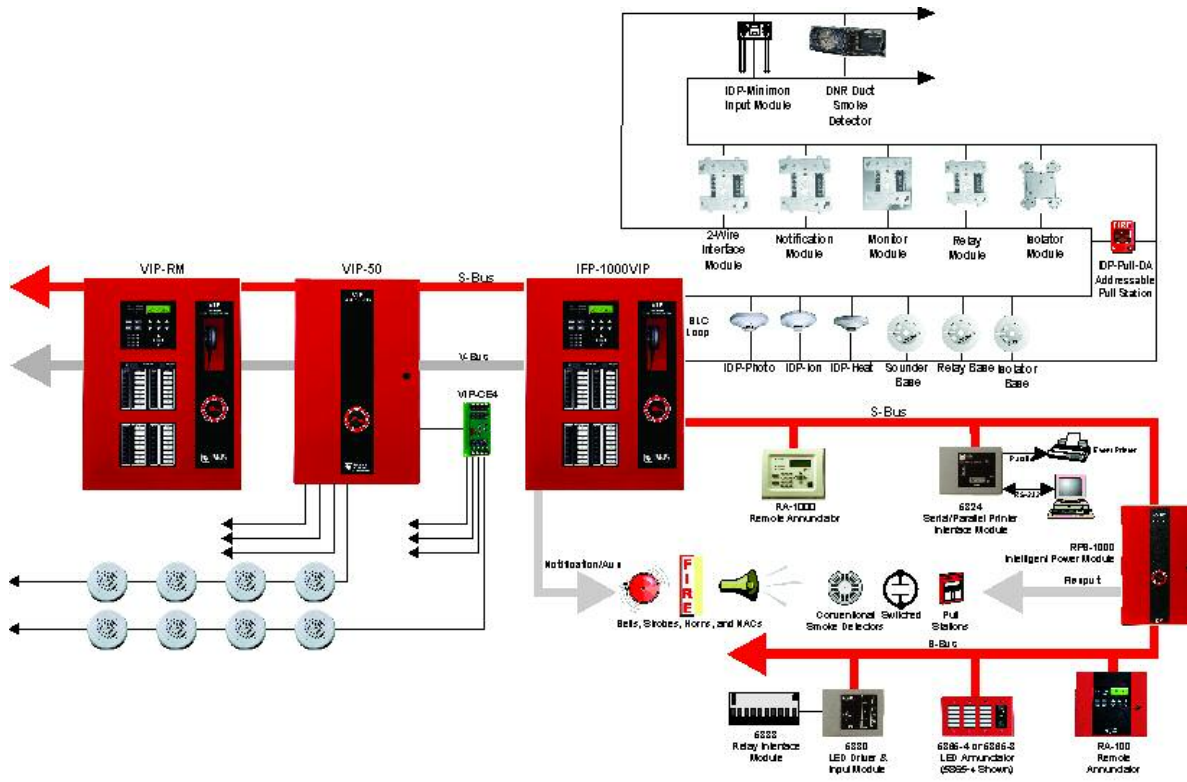
### Compatibility

The IFP-1000VIP is compatible with the following voice evacuation components:

- VIP-50 50 watt amplifier
- VIP-125 125 watt amplifier
- VIP-RM Remote microphone
- VIP-SW16 16 switch expander
- VIP-VCM Voice Control Module

P/N 350391 Rev E

Copyright © 2011 Honeywell International Inc.



IFP-1000VIP System Using IDP Protocol Devices on the SLC Loop

## Specifications

### Physical

Flush Mount Dimensions: 20.25"W x 26.75"H x 2.5"- 3"D  
(51.4 W x 68 H x 6.4-7.6 D cm)

Overall Dimensions: 20"W x 26.5"H x 4.6"D  
(50.75 W x 67.3 H x 11.8 D cm)

Weight: 53 lbs. (24 kg)

Color: Red

### Environmental

Operating Temperature: 32°F – 120°F (0°C – 49°C)

Humidity: 10% – 93% non-condensing

### Electrical

IFP-1000VIP Primary AC: 120 VAC @ 60 Hz, 2.5A

IFP-1000VIPHV Primary AC: 240 VAC @ 50 Hz, 1.25A

Total Accessory Load: 6A @ 27.4 VDC power-limited

Standby Current: 275 mA

Alarm Current: 585 mA

Battery Charging Capacity: 7 to 35 AH

Battery Size: 18 AH max. allowed in control panel cabinet. Larger capacity batteries can be housed in RBB accessory cabinet.

Six Conductor Wiring: Two voice bus & four SBUS

### Flexput Circuits

Six circuits that can be programmed individually as:

Notification Circuits: 3A per circuit @ 27.4 VDC, power-limited

Auxiliary Power Circuits: 3A per circuit @ 27.4 VDC, power-limited

Initiation Circuit: 100 mA per circuit @ 27.4 VDC, power-limited

### Approvals

NFPA 13, NFPA 15, NFPA 16, NFPA 70, & NFPA 72: Central Station; Remote Signalling; Local Protective Signalling Systems; Auxiliary Protected Premises Unit; & Water Deluge Releasing Service.

Other Approvals: UL Listing; CSFM 7170-0559: 143; MEA 429-92-E Vol. XV

### Ordering Information

IFP-1000VIP Voice Integration Panel with Fire Alarm Control.

### VIP Accessories

- VIP-50 50 Watt Amplifier
- VIP-125 125 Watt Amplifier
- VIP-RM Remote Microphone.
- VIP-CE4 4 Circuit Audio Expander. For VIP-50.
- VIP-SW16 16 Switch Expander.
- VIP-VCM Voice Control Module.
- 7780 Voice Message Downloading Application. Up/download voice messages with a PC.
- VIP-TR Panel Trim Ring. For flush mounting.

Flexput™ is a Trademark of Silent Knight Jumpstart® is a Registered Trademark of Silent Knight



This document is not intended to be used for installation purposes. We try to keep our product information up-to-date and accurate. We cannot cover all specific applications or anticipate all requirements. All specifications are subject to change without notice. For more information, contact Silent Knight 12 Clintonville Road, Northford, CT 06472-1610 Phone: (800) 328-0103, Fax: (203) 484-7118. [www.farenhyt.com](http://www.farenhyt.com)

