



COLT SERIES EXCELLENCE MATTERS – SPECIFY IT!

200 DOUBLE CHECK ASSEMBLY

300 DOUBLE CHECK DETECTOR ASSEMBLY

COLT FEATURES

BACKFLOW ASSEMBLIES

- Closest competitor is more than 360% heavier
- Most compact design in the industry
- Entire valve body and closure sleeve manufactured from 300 Series Stainless Steel

- Approved with gate valves or UL/FM butterfly valves
- Approved for horizontal, vertical or "N" pattern installations

CHECK OUR WEBSITE FOR APPROVAL UPDATES!

- Utilizes groove connections for ease of installation & pipe alignment
- Patented Link-check modules allow ease of serviceability
- Smallest enclosure
- Eliminates flowswitch fluctuation
- Made in USA

THE AMES CHALLENGE

AMES offers the best performing, easiest to service, lowest installed cost backflow assemblies in the industry. We challenge any backflow manufacturer to disprove these claims, through authorized, 3rd party testing.



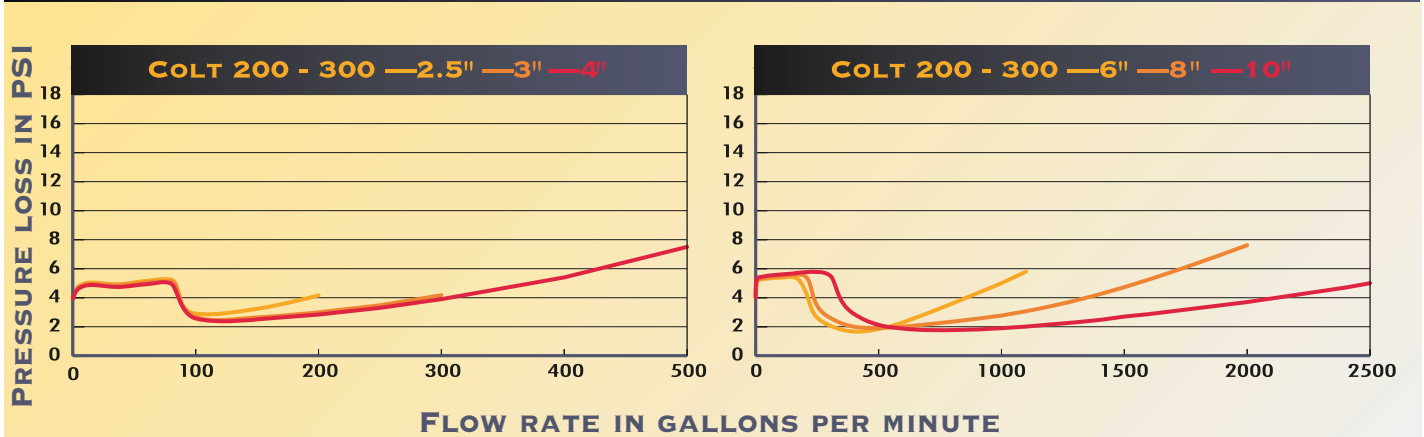
THE AMES CHALLENGE

ASSEMBLY WEIGHT COMPARE 4" DOUBLE CHECK WITH SHUTOFF VALVES		
BACKFLOW ASSEMBLY	WEIGHT (LBS)	% HEAVIER THAN AMES
COLT 200 W/BFG	61	
FEBCO 850 W/OS&Y - GPC 5/01	312	411%
WILKINS 350 W/OS&Y - BF 350	281	360%

LAYLENGTH COMPARE 4" DOUBLE CHECK WITH SHUTOFF VALVES		
BACKFLOW ASSEMBLY	LAYLENGTH (IN)	% LONGER THAN AMES
COLT 200 W/BFG	29.3	
FEBCO 850 W/OS&Y - GPC 5/01	46.2	59%
WILKINS 350 W/OS&Y - BF 350	37.7	29%

ENGINEERING THE CURVE

COLT 200/300 CERTIFIED FLOW CHARACTERISTICS (INCLUDING OS&Y SHUT-OFFS)



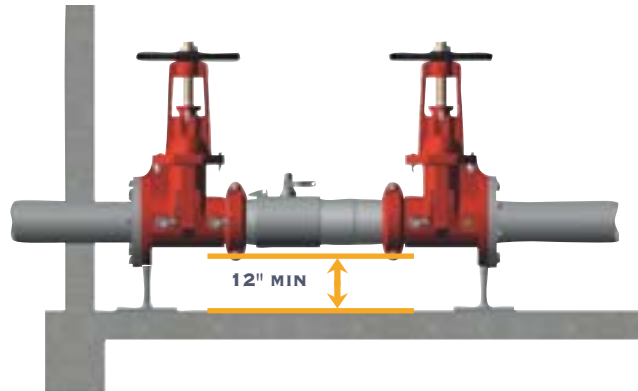
INSTALLATION GUIDELINES

Most field problems occur because dirt or debris present in the system at the time of installation becomes trapped in the 1st check seating area resulting in a low or zero differential across the 1st check. The system should be flushed before the backflow valve is installed. If the system is not flushed until after the backflow valve is installed, remove both check modules from the valve and open the inlet shut-off to allow water to flow for a sufficient time to flush debris from the water line. If debris in the water system continues to cause fouling, a strainer can be installed upstream of the backflow assembly.

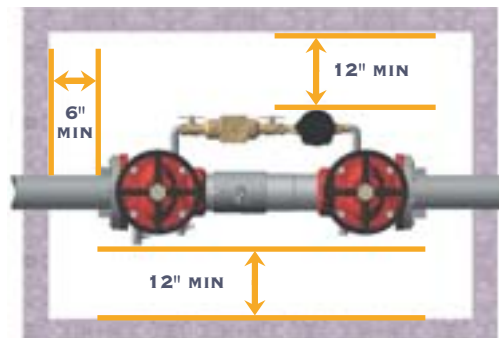
AMES models 200 & 300 may be installed in either horizontal, vertical, or "N" position as long as the backflow assembly is installed in accordance with the direction of the flow arrow on the assembly and the local water authority approves the installation.

The assembly should be installed with adequate clearance around the valve to allow for inspection, testing, and servicing. Twelve inches should be the minimum clearance between the lower portion of the assembly and the floor or grade.

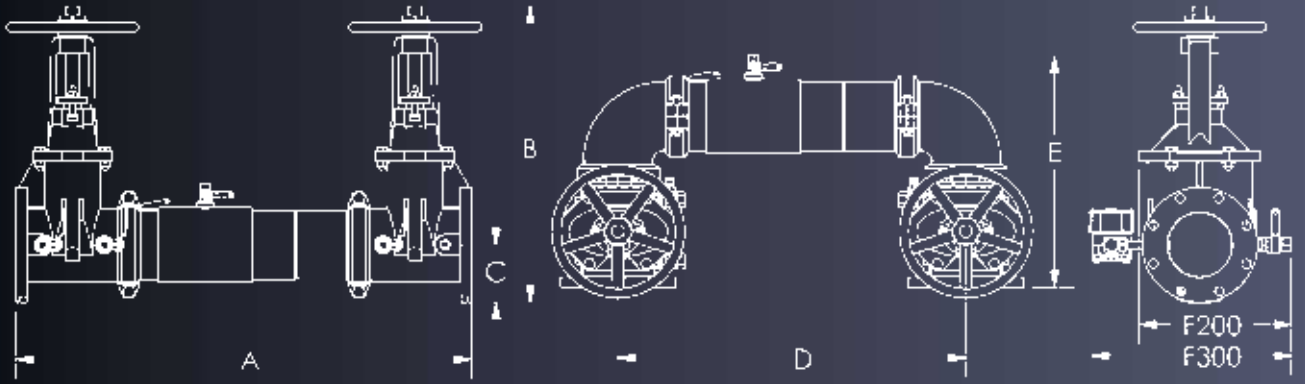
INTERIOR INSTALLATION



ENCLOSURE INSTALLATION



COLT 200/300 DIMENSIONS & WEIGHT



WITH GATE VALVES (INCHES)

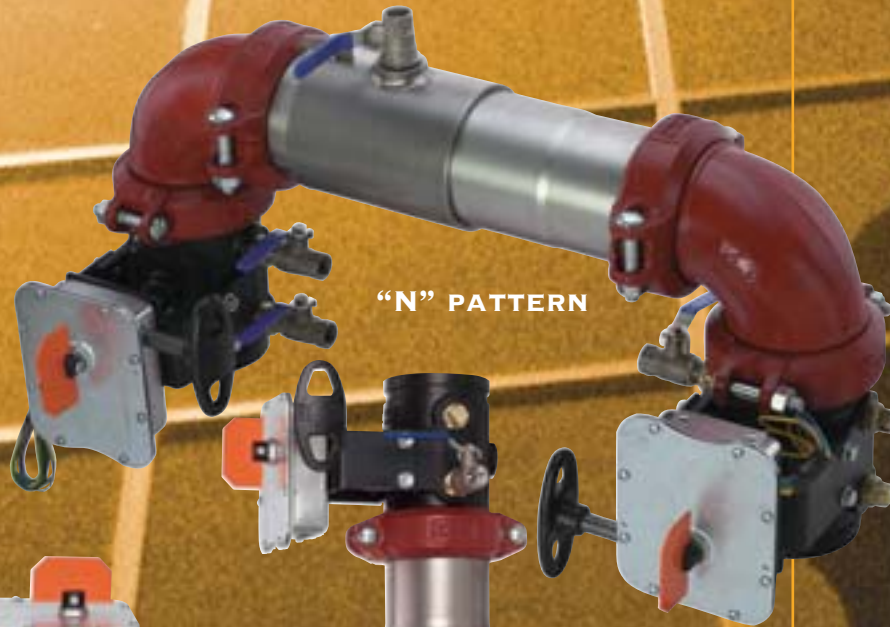
WITH UL/FM BUTTERFLY VALVES (INCHES)

SIZE	WITH GATE VALVES (INCHES)			WITH UL/FM BUTTERFLY VALVES (INCHES)													
	A	OS&Y B	NRS B	C	D	E	F/200	F/300	OS&Y WEIGHT	A	B	C	D	E	F/200	F/300	BFG WEIGHT
2 1/2"	31	16 ^{3/8}	9 ^{3/8}	3 1/2	22	15 1/2	9 ^{3/16}	13 ^{3/16}	125 lbs	28	11 1/2	3 1/2	22	14 ^{15/16}	9	13	56 lbs
3"	31 ^{11/16}	18 ^{7/8}	10 ^{1/4}	3 ^{11/16}	22 ^{3/4}	17 ^{1/8}	10 ^{1/2}	14 ^{1/2}	145 lbs	28 1/2	12	3 ^{11/16}	22 ^{3/4}	15 ^{7/16}	9 1/2	13 1/2	54 lbs
4"	33 ^{11/16}	22 ^{3/4}	12 ^{3/16}	4	24	18 1/2	11 ^{3/16}	15 ^{3/16}	161 lbs	29 ^{3/16}	12 ^{5/8}	3 ^{11/16}	24	16 ^{1/4}	10	14	61 lbs
6"	43 1/2	30 ^{1/8}	16	5 1/2	33 ^{3/4}	23 ^{3/16}	15	19	295 lbs	36 1/2	15	5	33 ^{3/4}	19 ^{11/16}	10 ^{1/2}	14 1/2	117 lbs
8"	50	37 ^{3/4}	19 ^{15/16}	6 ^{11/16}	40 ^{5/8}	27 ^{7/16}	17 ^{3/16}	21 ^{3/16}	480 lbs	43	18 ^{3/4}	6 1/2	40 ^{5/8}	23 ^{5/16}	14 ^{3/16}	18 ^{3/16}	261 lbs
10"	57 1/2	45 ^{3/4}	23 ^{13/16}	8 ^{3/16}	50	32 1/2	20	24	781 lbs								

UL/FM BUTTERFLY VALVES AVAILABLE FOR SHUTOFF VALVES

ADVANTAGES OF UL/FM BUTTERFLY VALVES

- Butterfly valves have built-in tamper switch wiring
- Backflow assembly is lighter & more compact
- Groove couplings allow ease of installation & pipe alignment
- All butterfly valves display flow indicator flag



"N" PATTERN

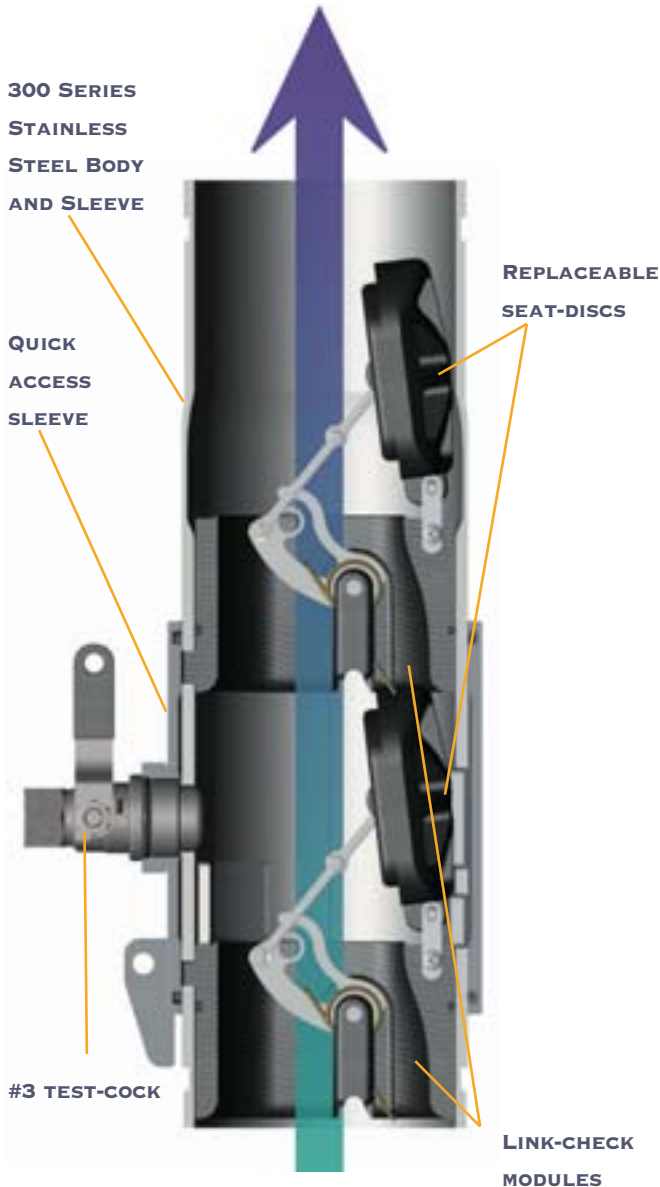


HORIZONTAL



VERTICAL

CUTAWAY VIEW - FULL FLOW OPERATION



NORMAL OPERATION

In normal flowing operation, the independent Link-check remains closed until there is a water demand. Each check will then open and maintain an approximate 1psi differential in the direction of flow. In a nonflow or backflow condition, both checks will close until the resumption of normal flow.

APPLICATIONS — COLT 200

Double Check Assemblies are used to prevent backflow of pollutants that are objectionable but not toxic. Double checks may be installed under continuous pressure service and may be subject to backpressure.

Double Check Assemblies may be used in fire protection systems without chemical additives, industrial in-plant plumbing systems and other systems requiring low hazard protection. Local codes may vary, consult authorities for specific approved applications.

APPLICATIONS — COLT 300

Double Check Detector Check Assemblies are used to prevent backflow of pollutants that are objectionable, but not toxic. Double Check Detector Check Assemblies may be installed under continuous pressure service and may be subject to backpressure.

The Double Check Detector Check Assembly is used primarily on fireline sprinkler systems when it is necessary to monitor unauthorized use of water.

APPROVALS

Contact the factory or visit the website:
www.amesfirewater.com

SPECIFICATIONS

The Backflow Assembly shall consist of two independent Link-check modules within a single housing with sleeve access, required test cocks and drip tight shut-off valves. Link-checks may be removed and reinstalled in housing without any special tools. The housing shall be constructed of 300 Series stainless steel with groove end connections. Link-checks shall have reversible elastomer disks and in operation shall produce drip tight closure against the reverse flow of liquid caused by back pressure or back siphonage. Device shall be manufactured in the USA. Device shall be COLT 200 or 300 manufactured by AMES of Sacramento, California.

CHARACTERISTICS AND MATERIALS

RATED WORKING PRESSURE	HYDROSTATIC TEST PRESSURE
175psi	350psi
TEMPERATURE RANGE	BODY CONSTRUCTION
33°F-110°F	300 Series Stainless Steel

END CONNECTION

Groove per AWWA C-606 (IPS) or Flange per ANSI B16.1, Class 125

Patent Nos. 6,220,282, 6,443,181, and 6,478,047



AMES FIRE & WATERWORKS® A Division of Watts Water Technologies, Inc.

www.amesfirewater.com



1427 North Market Blvd. • Suite #9 • Sacramento, CA 95834 • Phone: 916-928-0123 • Fax: 916-928-9333